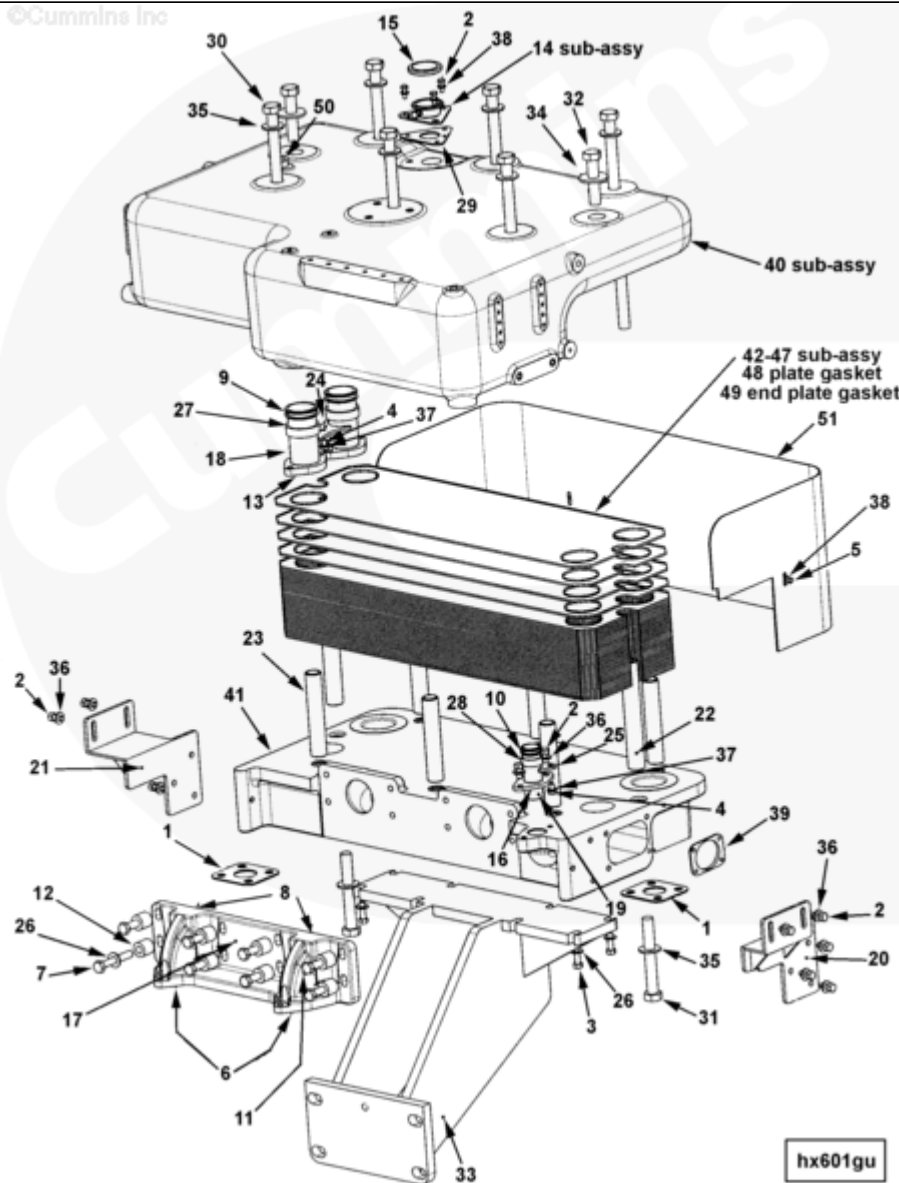




## Parts Catalog - Option Detail

Electronic Parts Catalog - Option Detail				
Option	Group	Graphic	Film Card	Date
HX6124	08.10.1	hx601gu	K38	19-APR-04
<b>Engines</b>	GTA38, K38, KTA38GC CM558, QSK38 CM2150 K106, QSK38 CM2150 MCRS, QSK38 CM850 MCRS			



[SMALL](#) | [MEDIUM](#) | [LARGE](#)

Cart	Ref No	Part Number	Part Description	Required	Remarks
<input type="button" value="View My Cart"/>					
		<a href="#">HX6124</a>	Heat Exchanger		<a href="#">Heat exchanger...(More)</a>

					engine mounted titanium plate
					heat exchanger located at the
					front of engine. Heat
					exchanger contains 42 plates
					for cooling both the engine
					and LTA circuits.
					Does not have
					Provisions for mounted gear
					oil cooler. For
					Use with KTA38M2 only.
<input type="checkbox"/>		4019938	Heat Exchanger	1	
<input type="checkbox"/>	1	3965746	Gasket	2	
<input type="checkbox"/>	2	S 117	Hexagon Head Cap Screw	15	3/8 - 16 x 3/4 in.
<input type="checkbox"/>	3	S 113	Hexagon Head Cap Screw	8	1/2 - 13 x 1 1/2 in.
<input type="checkbox"/>	4	S 171 A	Hexagon Head Cap Screw	2	5/16 - 18 x 1/2 inch
<input type="checkbox"/>	5	S 188 C	Hexagon Head Cap Screw	10	1/4 - 20 X 1/2 in.
<input type="checkbox"/>	6	4066380	O-Ring Seal	4	
<input type="checkbox"/>	7	106289	Hexagon Head Cap Screw	8	1/2 - 13 X 2 1/4 Inch.
<input type="checkbox"/>	8	3101661	O-Ring Seal	2	
<input type="checkbox"/>	9	3028291	O-Ring Seal	2	
<input type="checkbox"/>	10	3035027	O-Ring Seal	1	
	11	4084829		2	1/8-27 NPT
<input type="checkbox"/>	12	3092443	Mounting Spacer	8	
<input type="checkbox"/>	13	3101662	O-Ring Seal	2	
<input type="checkbox"/>	14	3393131	Fill Connection	1	
<input type="checkbox"/>	15	3393978	Filler Cap	1	
<input type="checkbox"/>	16	120554	O-Ring Seal	1	
<input type="checkbox"/>	17	3957495	Water Manifold	1	
<input type="checkbox"/>	18	3957496	Water Manifold	2	
<input type="checkbox"/>	19	3957497	Water Transfer Tube	1	

<input type="checkbox"/>	20	3957498	Reservoir Bracket	1	
<input type="checkbox"/>	21	3957499	Reservoir Bracket	1	
<input type="checkbox"/>	22	3957500	Mounting Spacer	2	
<input type="checkbox"/>	23	3957501	Mounting Spacer	6	
<input type="checkbox"/>	24	3957502	Clip	1	
<input type="checkbox"/>	25	3957503	Clip	1	
<input type="checkbox"/>	26	3957504	Lock Washer	16	
<input type="checkbox"/>	27	3957528	Seal Support	2	
<input type="checkbox"/>	28	3957529	Seal Support	1	
<input type="checkbox"/>	29	4078948	Flange Gasket	1	
<input type="checkbox"/>	30	4078949	Hexagon Head Cap Screw	6	3/4-10x16
<input type="checkbox"/>	31	4078950	Hexagon Head Cap Screw	2	3/4-10x6.0
<input type="checkbox"/>	32	4078951	Hexagon Head Cap Screw	2	3/4-10x4.0
<input type="checkbox"/>	33	4078952	Support Bracket	1	
<input type="checkbox"/>	34	4078953	Plain Washer	2	
<input type="checkbox"/>	35	4078954	Lock Washer	8	3/4
<input type="checkbox"/>	36	4078955	Lock Washer	15	3/8
<input type="checkbox"/>	37	4078956	Lock Washer	2	5/16
<input type="checkbox"/>	38	4078957	Lock Washer	10	1/4
<input type="checkbox"/>	39	4078958	Plate	1	
<input type="checkbox"/>	40	4078959	Expansion Tank	1	
<input type="checkbox"/>	41	4078960	Water Manifold	1	
<input type="checkbox"/>	42	4078961	Cooler Plate	6	
<input type="checkbox"/>	43	4078962	Cooler Plate	31	
<input type="checkbox"/>	44	4078963	Cooler Plate	1	
<input type="checkbox"/>	45	4078964	Cooler Plate	1	
<input type="checkbox"/>	46	4078965	Cooler Plate	1	
<input type="checkbox"/>	47	4078966	Cooler Plate	1	
<input type="checkbox"/>	48	4078967	Cooler Plate Gasket	39	

<input type="checkbox"/>	49	<a href="#">4078971</a>	Cooler Plate Gasket	1	
<input type="checkbox"/>	50	<a href="#">3965742</a>	Vent Tube	1	
<input type="checkbox"/>	51	<a href="#">3965743</a>	Plate Stack Shroud	1	

© 2019 Cummins Inc., Box 3005, Columbus, IN 47202-3005 U.S.A.  
Terms of Use and Disclaimers | Recommended System Requirements  
Need Assistance? Please click on the Contact Us button in the top right corner of any page.